

DMM-1 Dimmer Instructions

USER INSTRUCTION RF 16keys 30A Knob LED Dimmer



0% 100%

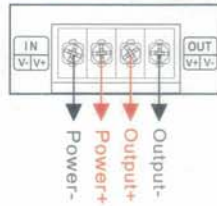
1. Product features:

RF 16 keys 30A knob led dimmer adopt the most advanced PWM digital dimming technology, It is a controller that can adjust brightness infinitely, it's control mode is wireless control, or through the knob to adjust brightness; Is used to control a variety of led lamps as the light source, for instance, point source of light, flexible light strip and so on.

2. Technical Parameters:

- Model No. : D01
- Working temperature: -20-60 °C
- Supply voltage: DC5-24V
- Output: 1 channel
- Static power consumption: <1 W
- Output current: <30 A
- Power output: 5V<150W, 12V<360W, 24V<720W
- Net weight: 120g
- Gross weight: 135g
- External dimension:
Controller:L86XW62XH37mm
RF Remote:L85XW40XH7mm
Remote battery: 1pcs CR2025 aluminum cell
- Packing size: L90X W64 X H47 mm

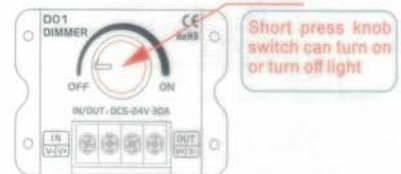
3. Connection description:



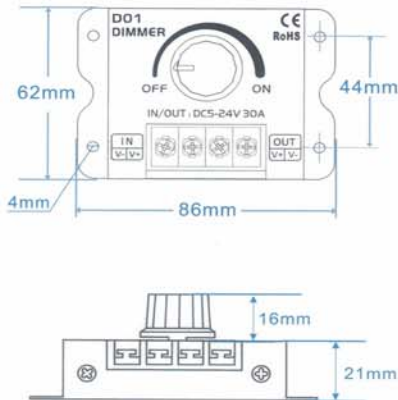
4. Remote&Controller description:



Remember to remove plastic tab.



5. Product size:



6. Wiring diagram:



7. Cautions:

- (1). This product only use on supply voltage DC5-24V, do not input on other voltage.
- (2). The lead wire shall be according to the wiring diagram of the color and label, ensure all wire connections and polarities are correct before applying power to avoid any damages to the LED lights.
- (3). Please do not overload, the total max output current is 30A.
- (4). This product is non-waterproof. Please avoid the sun and rain. When installed outdoors please ensure it is mounted in a water proof enclosure.



INTELLECT LED